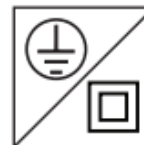
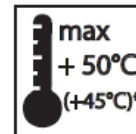
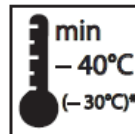


VIZULO MUSTANG - LED

Notice d'installation



220 - 240 V
AC

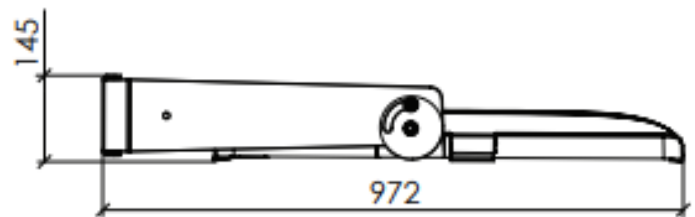
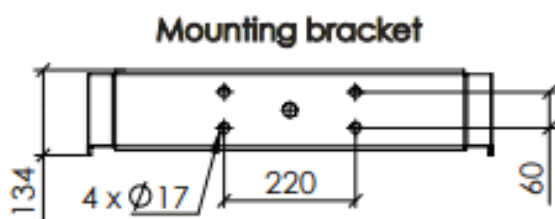
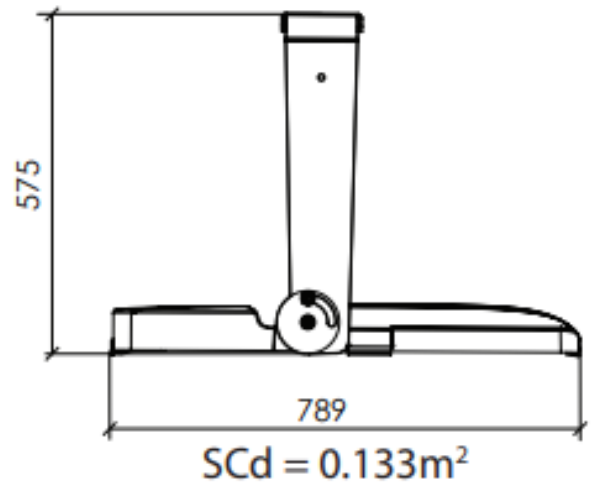
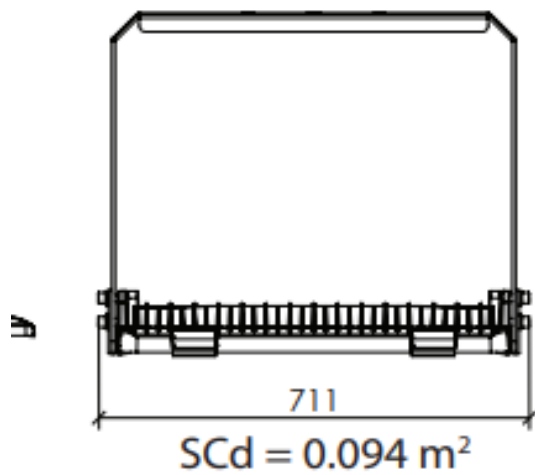
ZDi



L'installation doit être réalisé par du personnel qualifié.



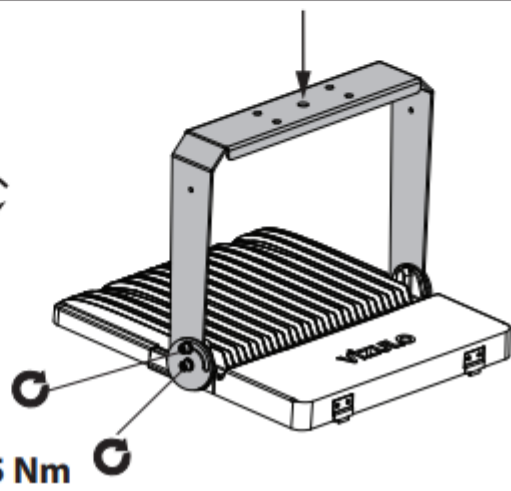
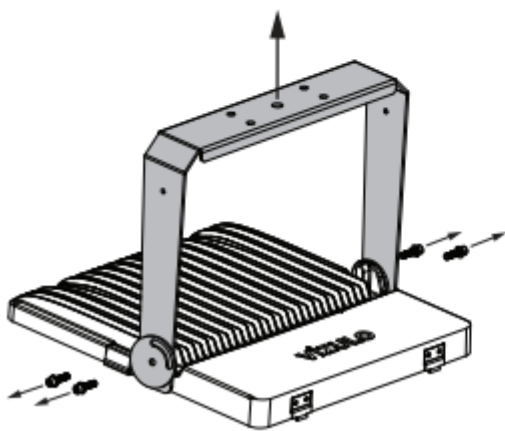
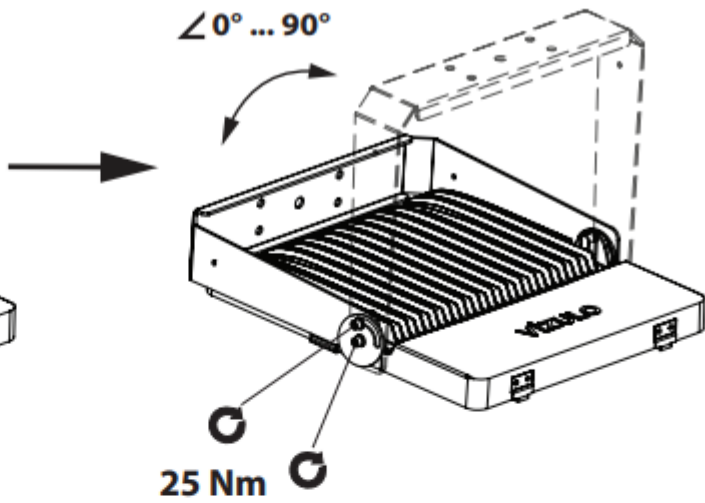
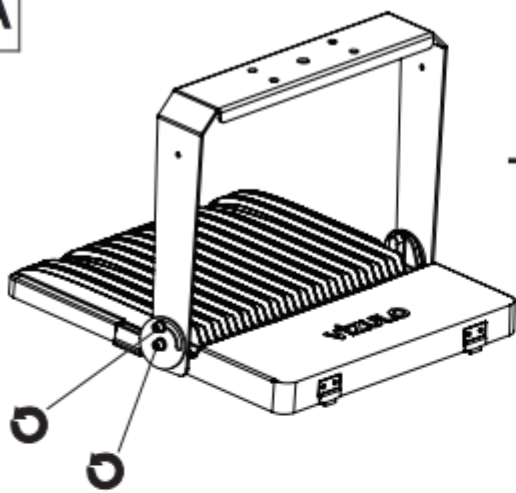
Dimensions



Poids maximum : 41Kg

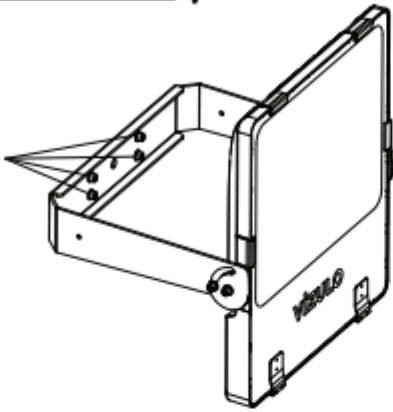
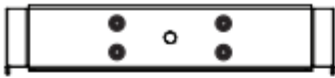
Montage de la lyre

1A

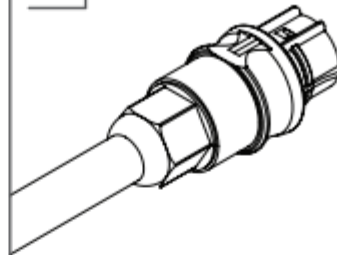


Raccordement

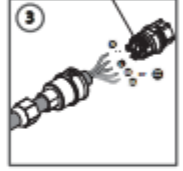
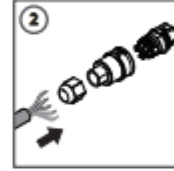
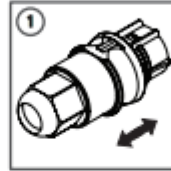
2



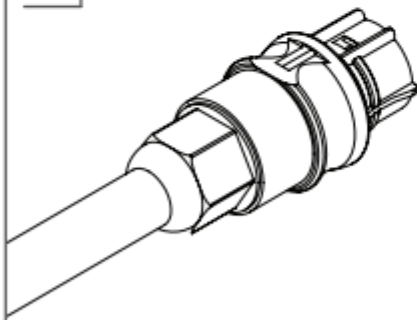
3A Class I + DALI



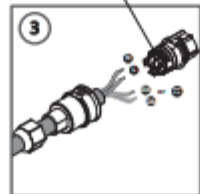
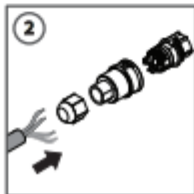
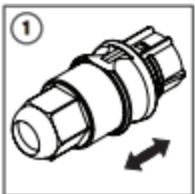
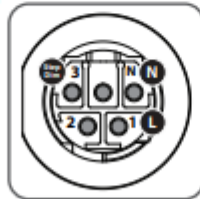
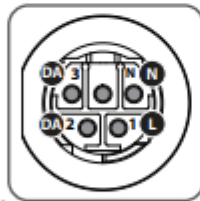
or



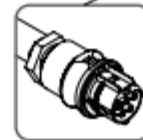
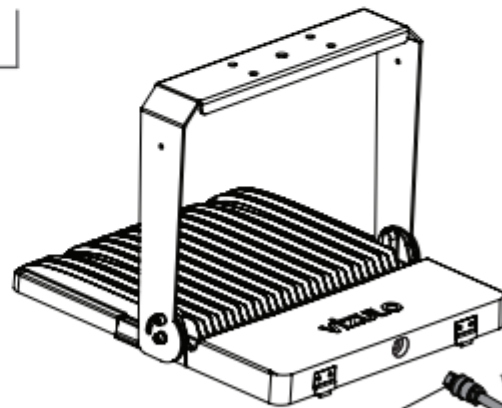
3B Class II + DALI



or



4



Ø 6.0 - 10.0 mm

MCB/Inrush current table | Palaišanas strāvu tabula | Таблица пусковых токов

Tridonic LED driver (No dim/ Midnight dimming/ DALI)															
Standard/High density	In-rush current (peak/duration)	B10A	B13A	B16A	B20A	B25A	B32A	B40A	C10A	C13A	C16A	C20A	C25A	C32A	C40A
6-12 LED, 8-26W	15 A (226 μs)	19	25	30	37	46	59	74	31	41	50	61	76	97	122
12-20 LED, 20-43W	25 A (236 μs)	12	16	20	26	32	41	52	20	26	33	43	53	68	86
20-28 LED, 30-64W	32 A (335 μs)	6	8	10	13	16	20	26	10	13	16	21	26	33	42
28-48 LED, 45-96W	42 A (238 μs)	6	8	10	13	16	20	26	10	13	17	22	27	35	44
48-64 LED, 70-144W	65 A (268 μs)	3	4	5	6	7	9	12	5	7	8	10	12	16	20
64-108 LED, 100-211W	80 A (225 μs)	4	6	8	10	12	16	20	6	10	13	16	20	25	32
108-128 LED, 135-288W	130 A (268 μs)	1	2	2	3	3	4	6	2	3	4	5	6	8	10
128-160 LED, 200-380W	160 A (225 μs)	2	3	4	5	6	8	10	3	5	6	8	10	12	16
Eco		B10A	B13A	B16A	B20A	B25A	B32A	B40A	C10A	C13A	C16A	C20A	C25A	C32A	C40A
4-4 LED, 9-20W	15 A (226 μs)	19	25	30	37	46	59	74	31	41	50	61	76	97	122
4-8 LED, 20-38W	25 A (236 μs)	12	16	20	26	32	41	52	20	26	33	43	53	68	86
8-12 LED, 30-57W	32 A (335 μs)	6	8	10	13	16	20	26	10	13	16	21	26	33	42
12-24 LED, 45-96W	42 A (238 μs)	6	8	10	13	16	20	26	10	13	17	22	27	35	44
24-32 LED, 70-144W	65 A (268 μs)	3	4	5	6	7	9	12	5	7	8	10	12	16	20
32-52 LED, 100-211W	80 A (225 μs)	4	6	8	10	12	16	20	6	10	13	16	20	25	32
52-64 LED, 135-288W	130 A (268 μs)	1	2	2	3	3	4	6	2	3	4	5	6	8	10
64-96 LED, 200-380W	160 A (225 μs)	2	3	4	5	6	8	10	3	5	6	8	10	12	16
Tridonic LED driver (Zhaga)															
Standard/High density	In-rush current (peak/duration)	B10A	B13A	B16A	B20A	B25A	B32A	B40A	C10A	C13A	C16A	C20A	C25A	C32A	C40A
6-12 LED, 8-26W	15 A (316 μs)	16	21	25	33	41	52	66	26	35	41	55	68	88	110
12-20 LED, 20-43W	20 A (346 μs)	11	14	17	22	27	35	44	18	23	28	36	45	57	72
20-28 LED, 30-64W	28 A (270 μs)	10	13	16	20	25	32	40	16	21	26	33	41	52	66
28-48 LED, 45-96W	38 A (280 μs)	6	8	10	13	16	20	26	10	13	16	21	26	33	42
48-64 LED, 70-144W	56 A (277 μs)	3	4	5	6	7	9	12	5	6	8	10	12	16	20
64-108 LED, 100-211W	85 A (215 μs)	3	4	5	6	7	9	12	5	6	8	10	12	16	20
108-128 LED, 135-288W	112 A (277 μs)	1	2	2	3	3	4	6	2	3	4	5	6	8	10
128-160 LED, 200-380W	170 A (215 μs)	1	2	2	3	3	4	6	2	3	4	5	6	8	10
Eco		B10A	B13A	B16A	B20A	B25A	B32A	B40A	C10A	C13A	C16A	C20A	C25A	C32A	C40A
4-4 LED, 9-20W	15 A (316 μs)	16	21	25	33	41	52	66	26	35	41	55	68	88	110
4-8 LED, 20-39W	20 A (346 μs)	11	14	17	22	27	35	44	18	23	28	36	45	57	72
8-12 LED, 30-57W	28 A (270 μs)	10	13	16	20	25	32	40	16	21	26	33	41	52	66
12-24 LED, 45-96W	38 A (280 μs)	6	8	10	13	16	20	26	10	13	16	21	26	33	42
24-32 LED, 70-144W	56 A (277 μs)	3	4	5	6	7	9	12	5	6	8	10	12	16	20
32-52 LED, 100-211W	85 A (215 μs)	3	4	5	6	7	9	12	5	6	8	10	12	16	20
52-64 LED, 135-288W	112 A (277 μs)	1	2	2	3	3	4	6	2	3	4	5	6	8	10
64-96 LED, 200-380W	170 A (215 μs)	1	2	2	3	3	4	6	2	3	4	5	6	8	10